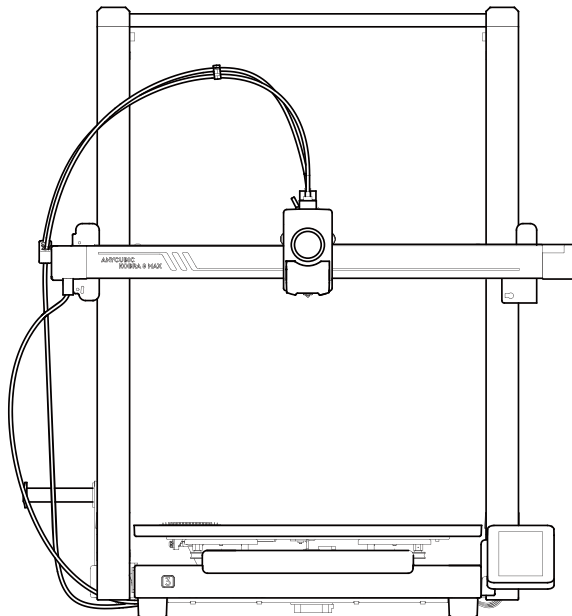




Anycubic Kobra 3 Max

User Manual



Installation Video

The product picture is for reference only. Please refer to the actual product.

Dear Customer,

Thank you for choosing **ANYCUBIC** products.

Maybe you are familiar with 3D printing technology or have purchased **ANYCUBIC** printers before, but we still highly recommend that you read this manual carefully. The installation techniques and precautions in this manual can help you avoid any unnecessary damage or frustration.

Please visit <https://support.anycubic.com/> to contact us if you have any question. You can also gain more information such as software, videos, models from the website.



ANYCUBIC APP



ANYCUBIC Wiki



ANYCUBIC Support Center

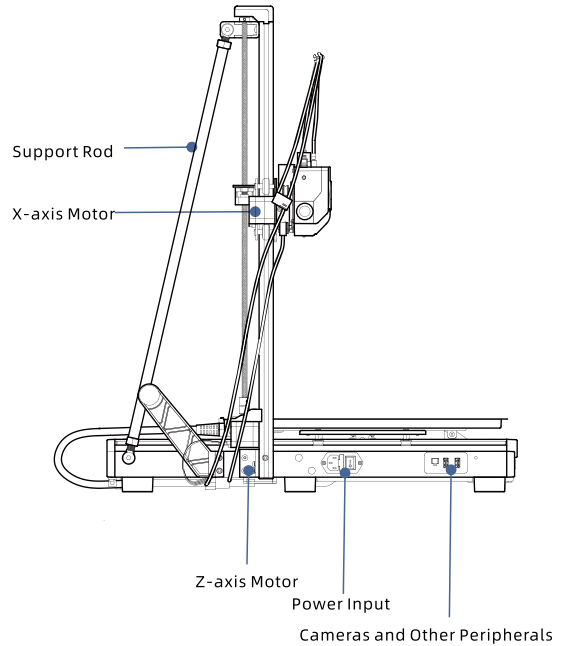
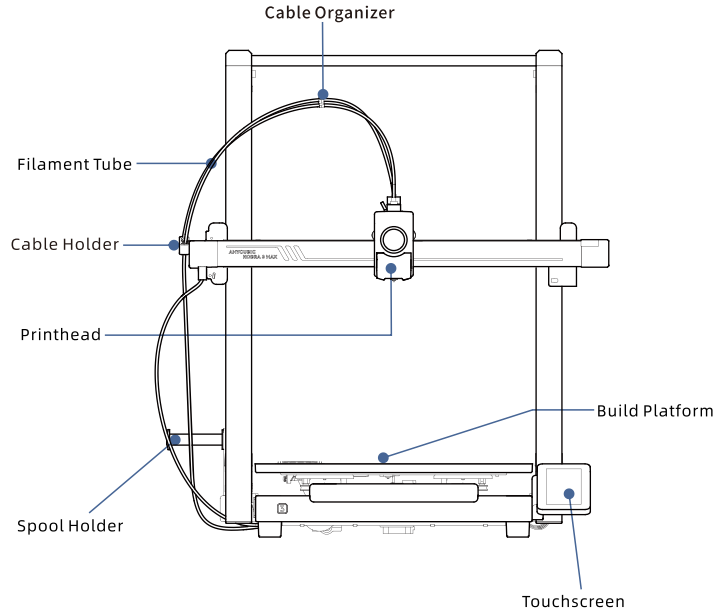
Team **ANYCUBIC**

Copyrighted by "Shenzhen Anycubic Technology Co., Ltd ", all rights reserved.

Content

| | | | | | |
|----------|--------------------------------|----|----------|------------------------|----|
| 1 | Product Overview | 1 | 3 | Power On | 18 |
| 2 | Printer Installation | 3 | 4 | Printer Binding | 20 |
| | Unlock the Frame and Base | 3 | | APP | 20 |
| | Frame Installation | 4 | | Anycubic Slicer | 21 |
| | Support Rod Installation | 5 | 5 | Start Printing | 24 |
| | Connect the Z-axis Motor Cable | 6 | 6 | Other Functions | 25 |
| | Connect Printhead Cable | 7 | 7 | Maintenance | 27 |
| | Printhead Installation | 9 | 8 | Attention | 30 |
| | Touchscreen Installation | 10 | | | |
| | Connect the X-axis Motor Cable | 11 | | | |
| | Cable Holder Installation | 12 | | | |
| | Filament Tube Connection | 13 | | | |
| | Spool Holder Installation | 14 | | | |
| | Check Before Use | 16 | | | |

Product Overview

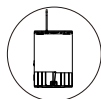


Packing List

The following pictures are for reference only. Please refer to the actual object.



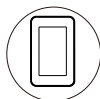
Printer Frame



Base Housing



Printhead



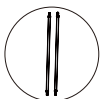
Touchscreen



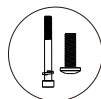
Spool Holder



Cable Holder



Support Rod



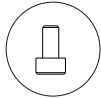
Bag NO.1
For Frame



Bag NO.2
For Support Rod



Bag NO.3
For Printhead Cable



Bag NO.4
For Printhead



Bag NO.5
For Touchscreen



Bag NO.6
For Spool Holder



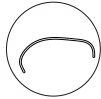
U Disk
(1pcs)



Power Cord
(1pcs)



Cable Organizer
(4pcs)



Filament Tube
(1pcs)



6.0/4.0/3.0/2.5/2.0/1.5
Allen Keys



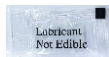
Wrench



Nozzle Cleaner



Filament



Grease

Technical Specification

Printing

Technology: FDM (Fused Deposition Modeling)

Build Size: 420 mm (L) × 420 mm (W) × 500mm (H)

Layer Thickness: 0.08 - 0.28mm

Positioning Accuracy: X / Y / Z 0.0125 / 0.0125 / 0.0025 mm

Extruder Quantity: Single

Nozzle Diameter: 0.4 mm

Supported Materials: PLA/TPU/PETG/ABS etc.

Software

Slicing Software: Anycubic Slicer/Orca Slicer

Software Input Formats: .STL/.OBJ/.3mf

Software Output Formats: GCode

Connectivity: U-DISK, AC Cloud, Anycubic Slicer Next

Electrical

Power Input: 110 V / 220 V AC

Rated Power: 1100 W

WIFI

Frequency Band: 2.4G(2.400-2.4835GHz)

Working Mode: AP, STA, AP+STA

Physical Dimensions

Printer Dimensions: 706mm (L) × 640mm (W) × 753mm (H)

Printer Dimensions (including spool holder and build platform movement range) 706(L) × 940mm (W) × 753 mm (H)

706(L) × 940mm (W) × 753 mm (H)

Net Weight: ~18KG

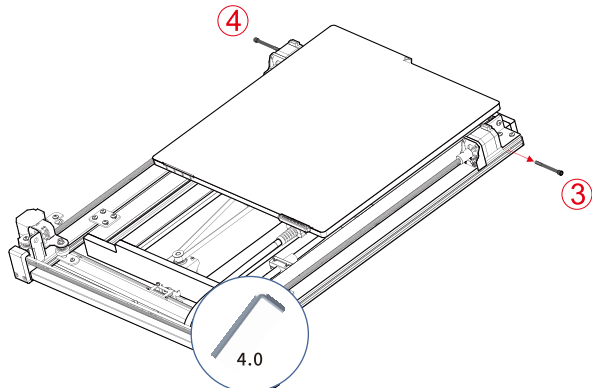
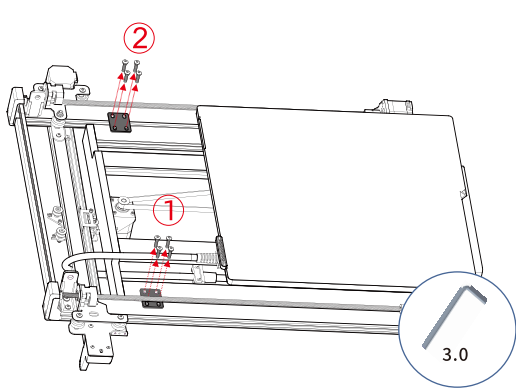
Printer Installation

For the installation instruction video, please scan the QR code on the right.



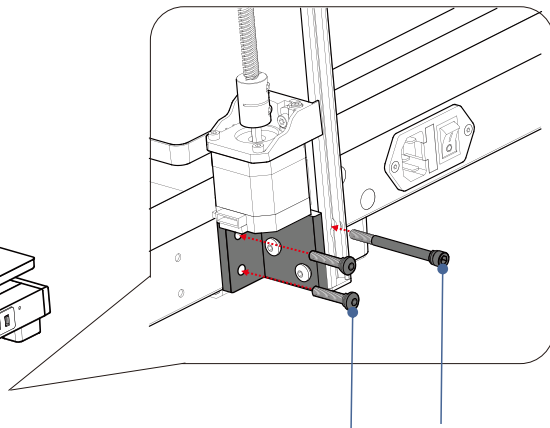
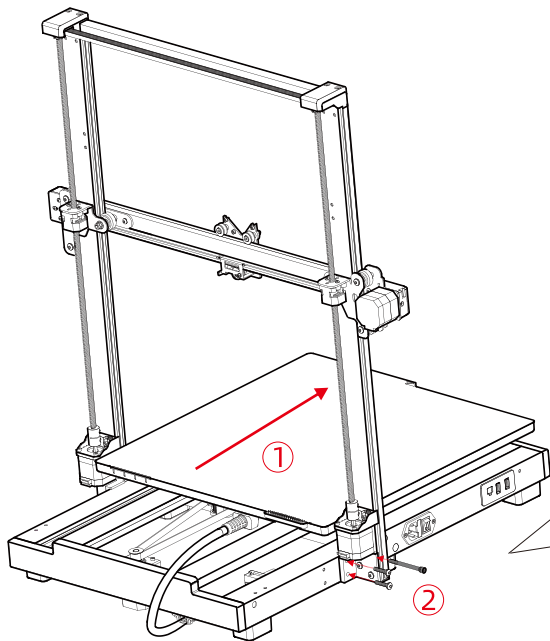
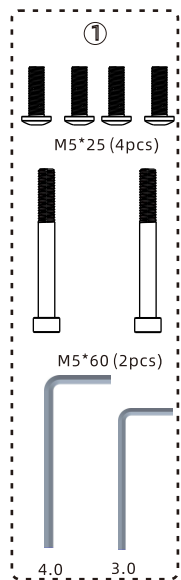
01 Unlock the Frame and Base

Take out the gantry frame and base assembly, and use allen key H3.0 and H4.0 to remove the 10 screws shown in the picture to separate the gantry frame and base.



02 Frame Installation

1. Push the build platform to the front of the printer, then place the gantry frame vertically on the base.
2. Fix the gantry frame and base with the No. 1 bag screws in the accessory box.

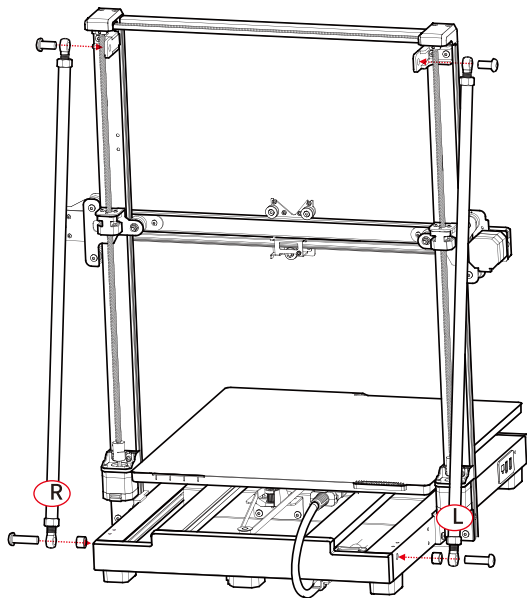
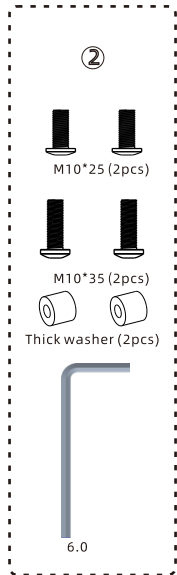


*It is recommended to use allen key with short sides to secure the screws.

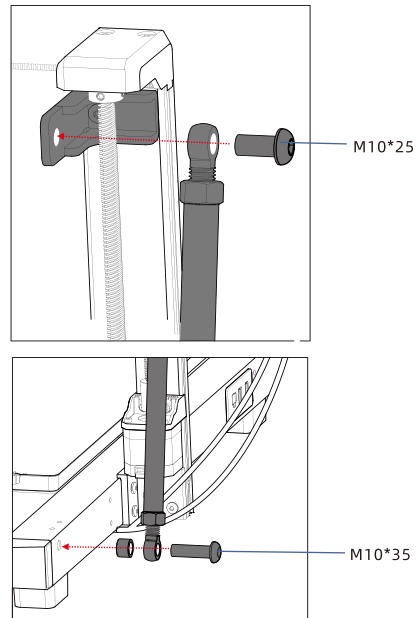
03 Support Rod Installation

Use the screws in the No.2 bag to install the support rods.

*We recommend installing the base screws first.

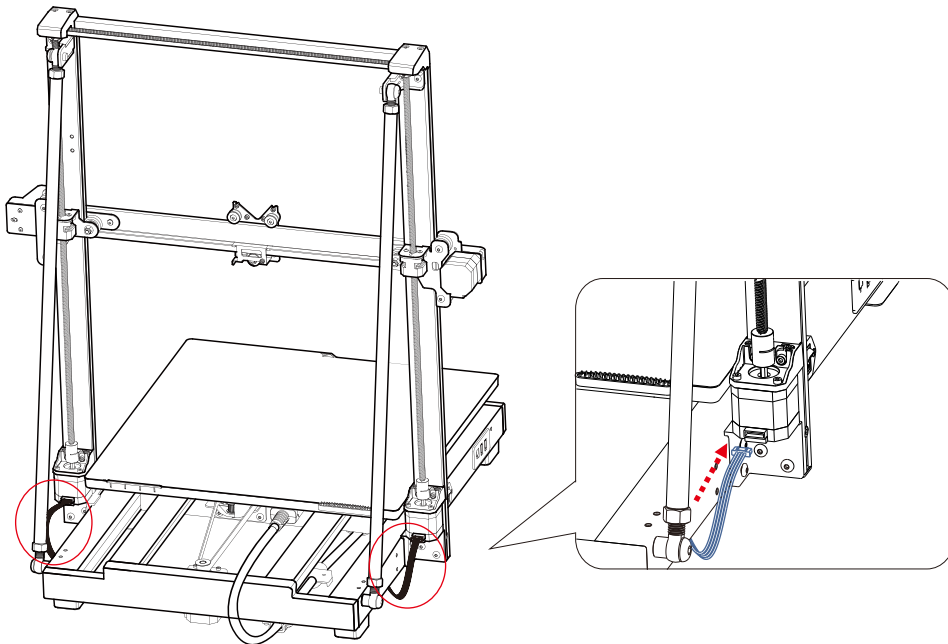


Note: Please pay attention to the left and right distinction when installing the support rod.



04 Connect the Z-axis Motor Cable

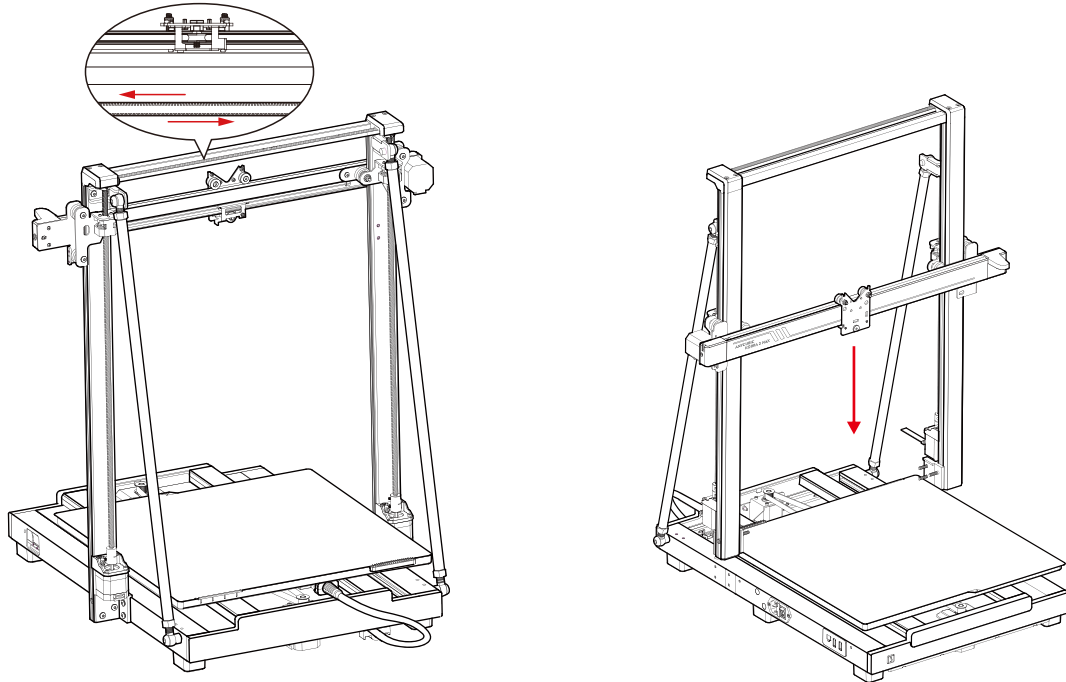
Connect the Z-axis motor cable on both sides of the printer.



Back

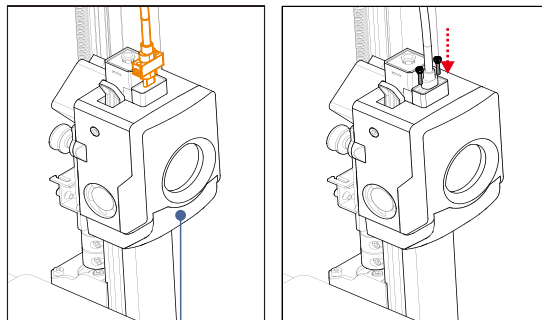
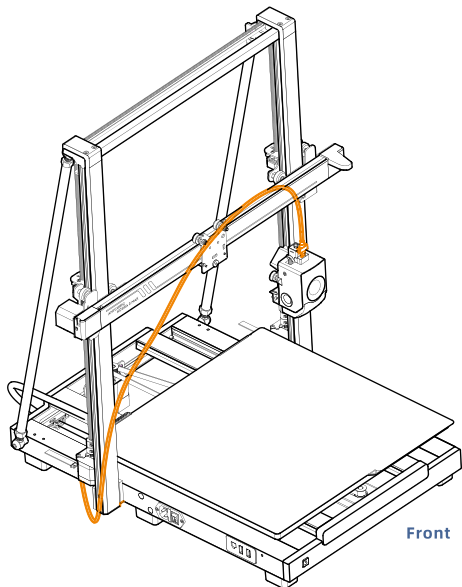
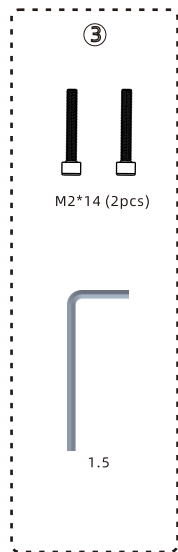
05 Connect Printhead Cable

Pull the belt horizontally to lower the height of the Z-axis.



05 Connect Printhead Cable

1. Press down on the printhead cable (the long orange Type-C cable) and insert it into the slot above the printhead.
2. Use the screws from the No. 3 bag to secure the cable.



①

Cover

②

Note:

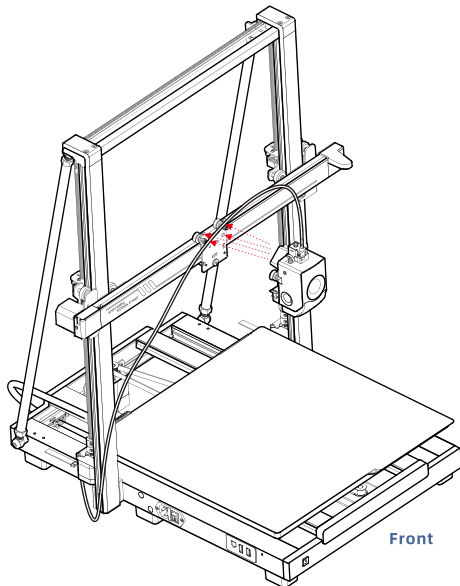
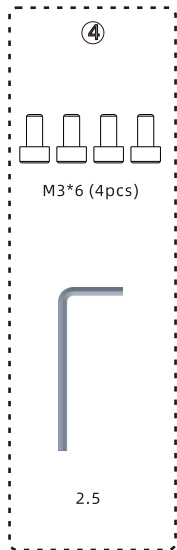
If the cover falls off during the installation process, you can wait until the printhead installation (Step 6) is completed before reattaching it.



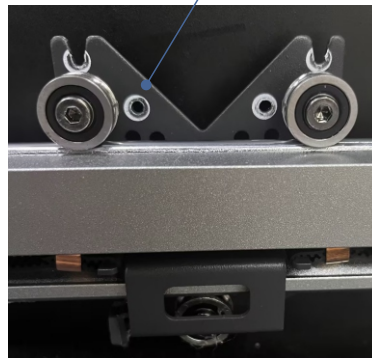
06 Printhead Installation

Install the printhead from the back of the printer. Use the screws from the No. 4 bag to secure the printhead by turning the screws clockwise.

*We recommend tightening the two screws at the top before tightening the screws at the bottom.



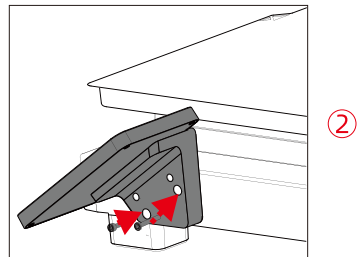
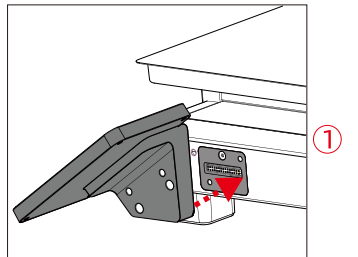
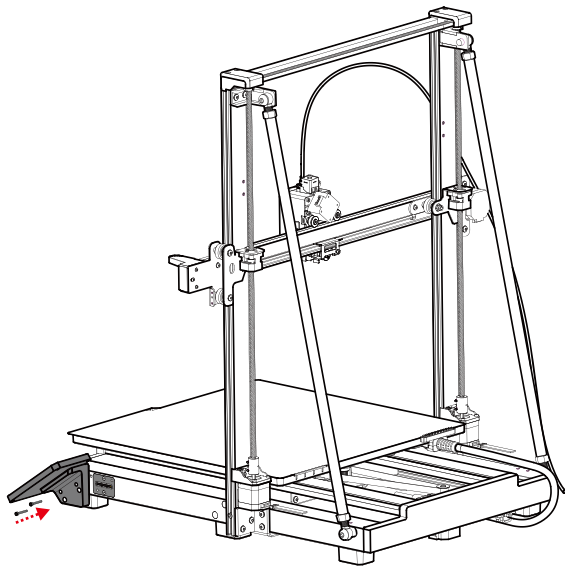
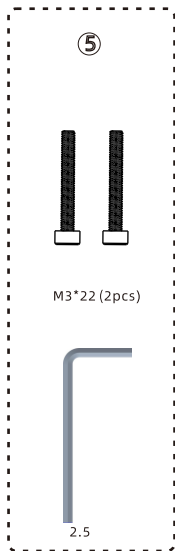
Note: Please install screws in the holes highlighted in white.



Back

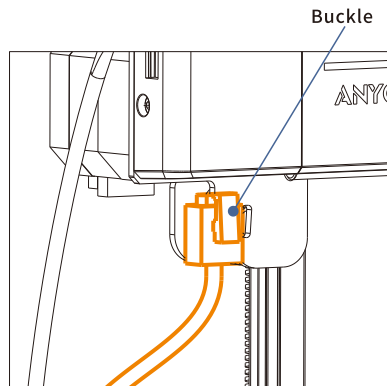
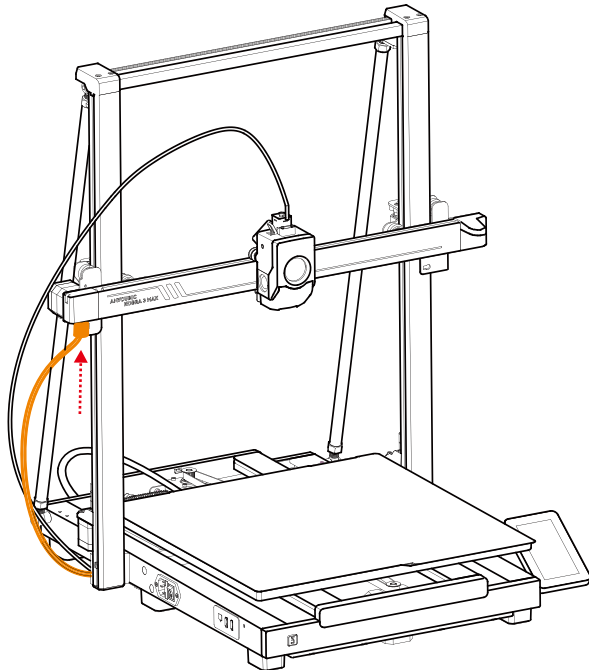
07 Touchscreen Installation

1. Connect the touchscreen with the limit hole.
2. Use the screws from the No. 5 bag to secure the touchscreen onto the printer.



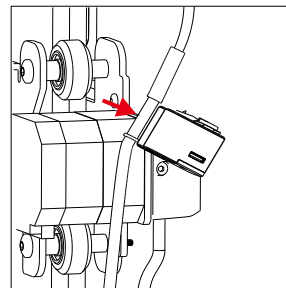
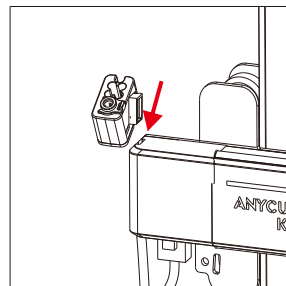
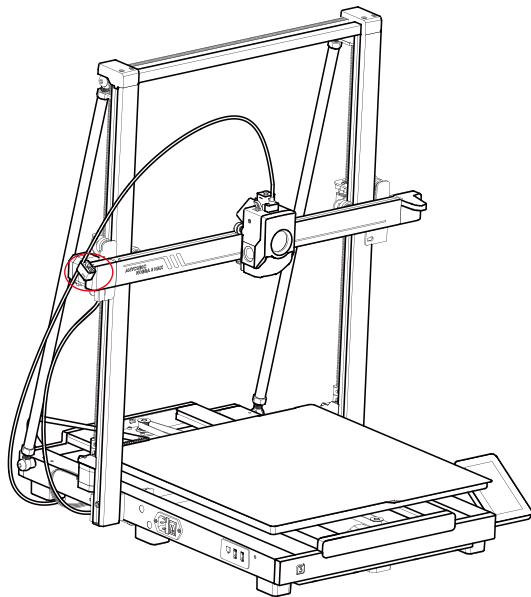
08 Connect the X-axis Motor Cable

Insert the motor cable (short Orange 6 Pin cable) upward into the bottom groove on the left side of the X-axis to tighten it. Note that the cable buckle faces towards you.



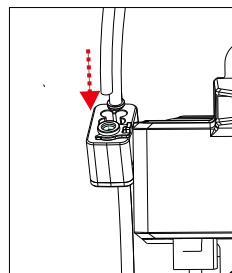
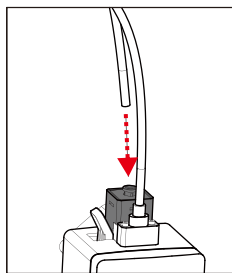
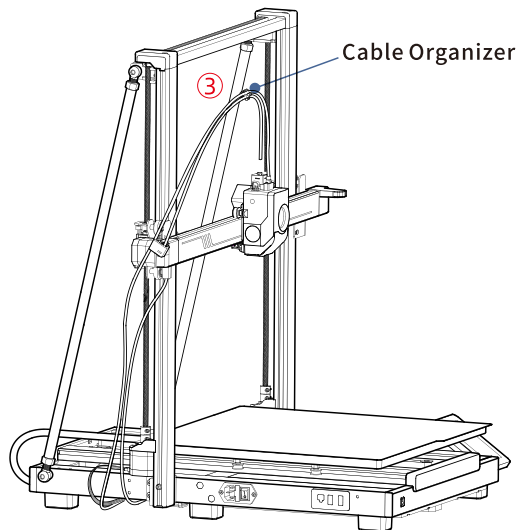
09 Cable Holder Installation

1. Press down the cable holder to secure it to the groove on the left side of the X-axis.
2. Insert the printhead cable into the cable holder.



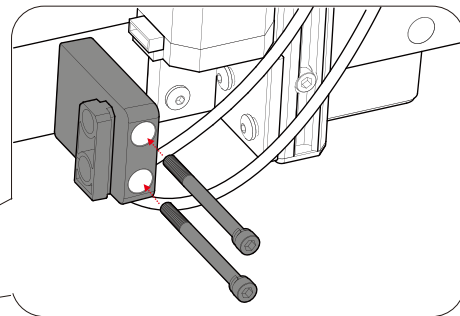
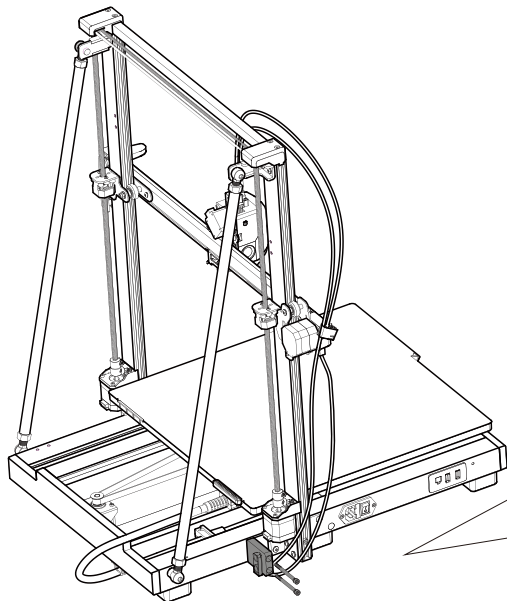
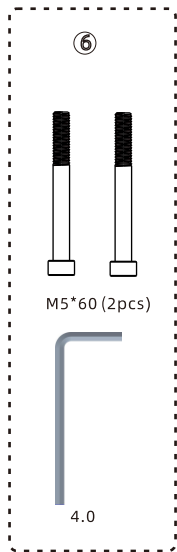
10 Filament Tube Connection (skip this step for multicolor printing)

1. Insert one end of the filament tube into the hub above the printhead and the other end into the cable holder.
2. Snap the filament tube and printhead cable into the cable organizer.



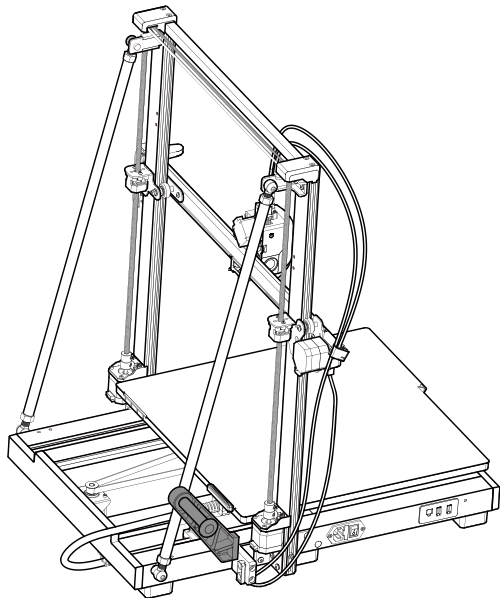
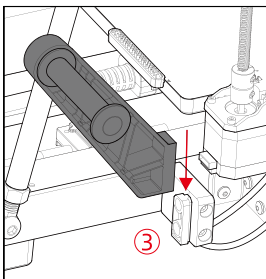
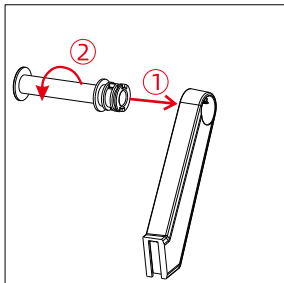
11 Spool Holder Installation (skip this step for multicolor printing)

1. Secure the base of the spool holder using the screws from the No. 6 bag.



11 Spool Holder Installation (skip this step for multicolor printing)

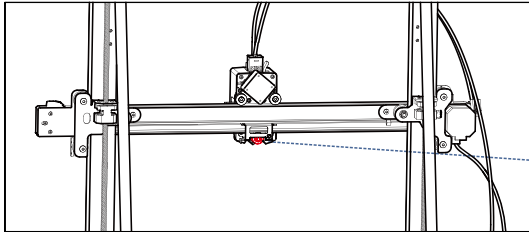
2. Put the cylindrical handle into the spool holder hole, and then rotate it at a certain angle to fix it.
3. Press the spool holder down and insert it into the groove behind the printer base.



Check Before Use

1. Pulley elastic adjustment

Check if the printhead is firmly installed, and adjust the hexagonal isolation column located underneath the printhead until it slides smoothly without any wobble.

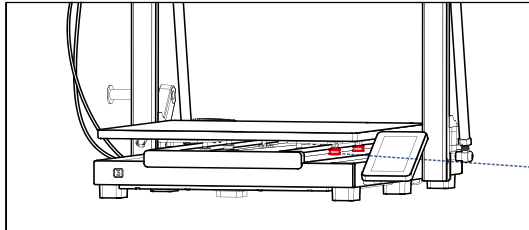


Print head



Adjust the hexagonal spacer behind D-wheel

Check if the hotbed is firmly installed. If it is, adjust the hexagonal isolation column located underneath the hotbed until it slides smoothly without any wobble.



Platform

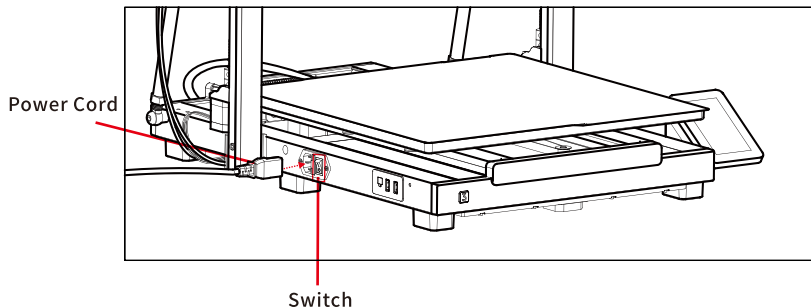
Adjust the hexagonal spacer on the Y axis

Similarly, the pulleys on both sides of the gantry frame can also be adjusted.



2. Power Connection

Insert the power cable into the printer's power input, then plug the power cable into a power source and power on the printer.

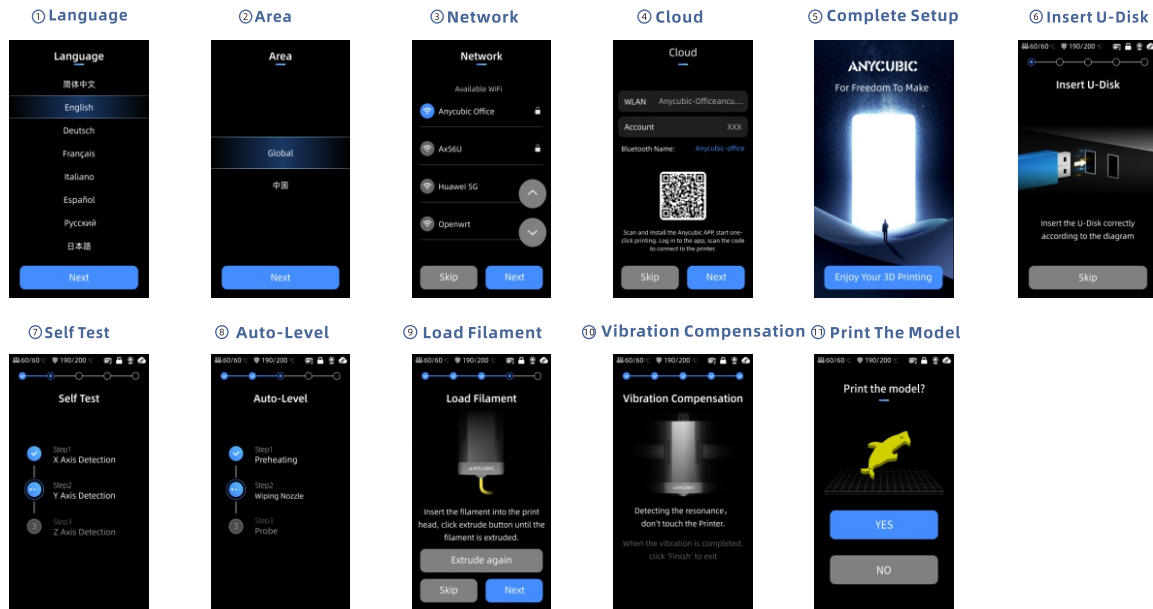


Note:

1. When inserting the power cord, please avoid crossing it with the printhead cable to prevent interference.
2. Before turning on the power, please check the printer power level matches the local voltage.



Power On



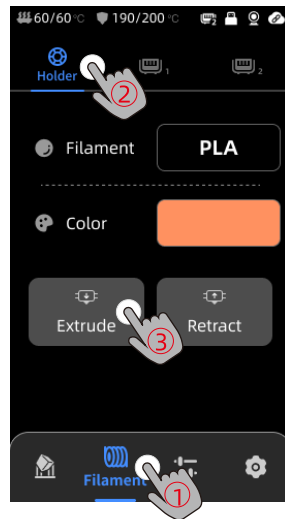
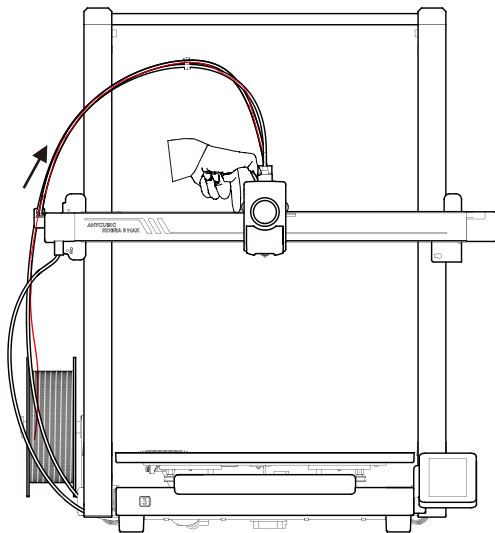
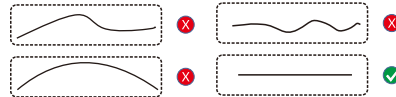
Note: The current interface is for reference only. Due to ongoing feature upgrades, please refer to the UI of the latest firmware release for accurate information.



Loading Filament

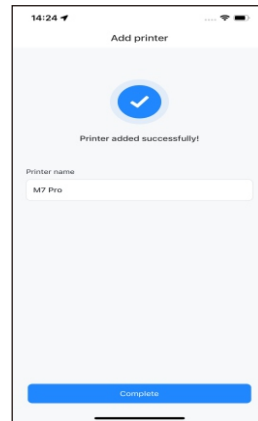
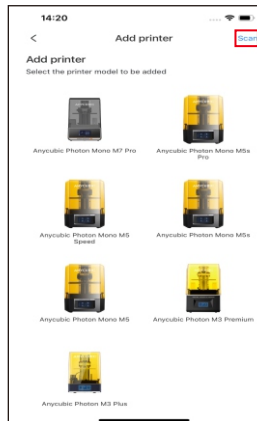
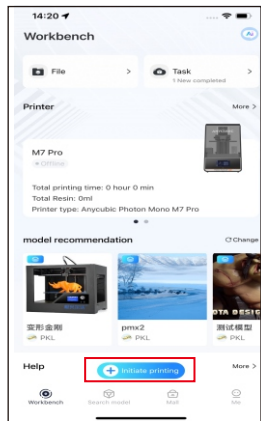
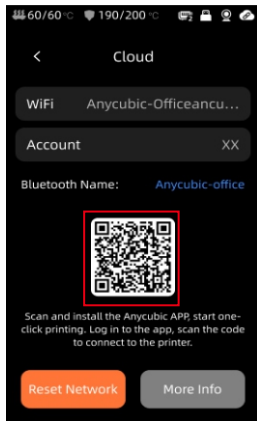
1. Put the filament onto the spool holder.
2. Insert the filament into the extruder until you feel some resistance. While doing so, press and hold the button on top of the extruder.
3. Press “Filament” - “Holder” - “Extruder” and wait for the filament material to be extruded from the nozzle.

Note: Before inserting the filament into the filament inlet, make sure to straighten the end of the filament.



Printer Binding

1. Please connect the printer to the network first.
2. Scan the QR code on the printer screen, QR code path: [Settings] - [Cloud], download the ANYCUBIC App, register and log in to the ANYCUBIC account.
3. Open ANYCUBIC App, click [+Initiate printing], click [Scan], and scan the QR code on the printer screen to bind ANYCUBIC account.



Software Installation and Binding

1. Software Installation Procedure

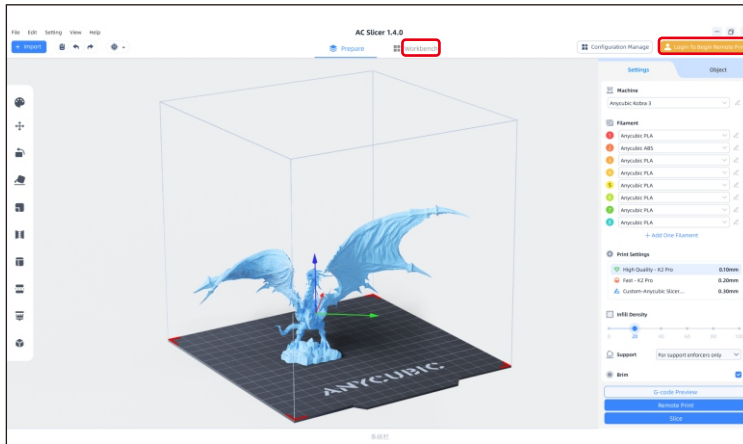
Open the attached USB drive and navigate into the path: \Files_English_Ancubic Kobra 3 Max \Ancubic Slicer, choose Windows /Mac to install the corresponding version, double-click on the Ancubic Slicer application to begin the installation .

2. Please connect the printer to the network before performing the following operations.

3. Ancubic Slicer Usage Instruction:

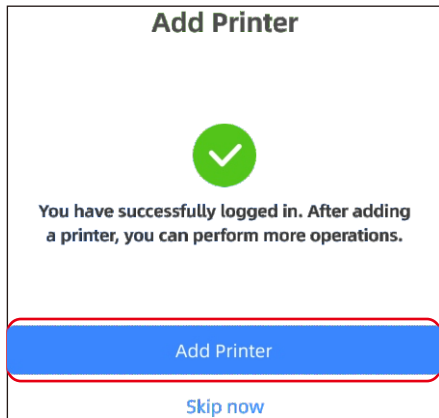
Open the attached USB drive and navigate into the path: \Files_English_Ancubic Kobra 3 Max \Ancubic Slicer \Ancubic Slicer_Usage Instructions

- ① After the software installation is completed, enter the main interface and click [Workbench] or [Log in to begin remote print].
- ② If you already have an APP account, you can directly enter your account and password to log in. If not, click [Sign Up Now].

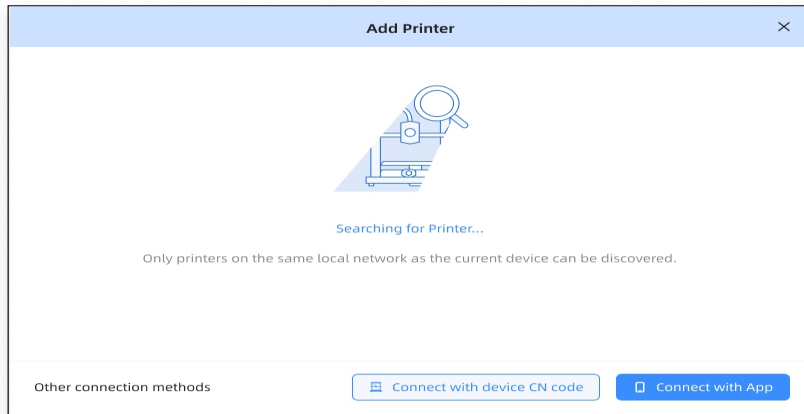


Software Installation and Binding

③ Click [Add Printer].

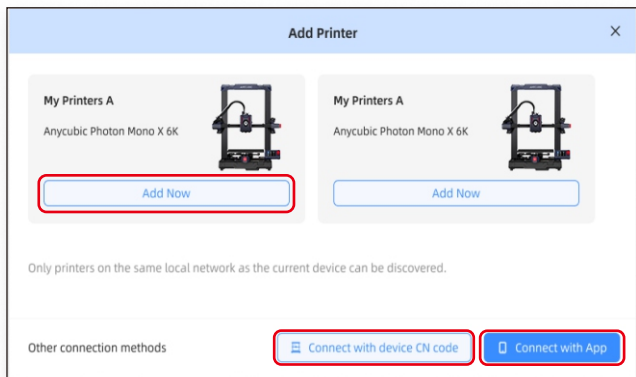


④ Automatically find printers on the same LAN as the current device. If the APP has been bound to the printer and logged in to the same account, the information will be automatically synchronized.

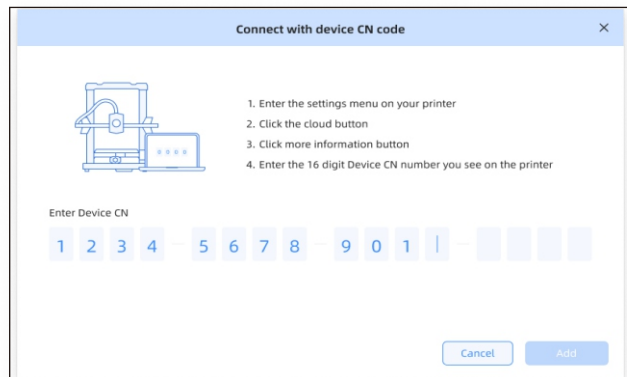


Software Installation and Binding

- ⑤ Select the machine that needs to be bound in the automatic search results and click **[Add Now]**. Multiple printers can be connected; if the search is not successful, please click **[Connect with device CN code]** or **[Connect with APP]**.



- ⑥ If the search fails, enter the CN code of the device to connect. Find the CN code path: Select **[Settings-Cloud Platform -More Information]** on the printer. You can view the CN code.



Note:

The software interface is subject to the latest version.

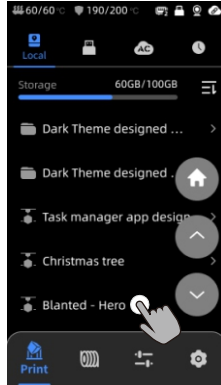
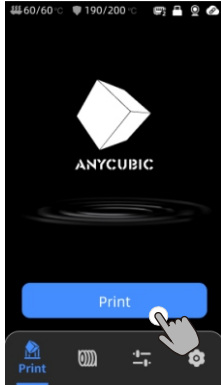


Start Printing

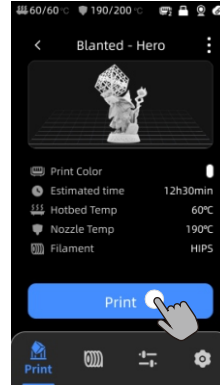
1) Select a model from the local or U-DISK and start printing.

*We recommend using one of the pre-loaded files as a first test print.

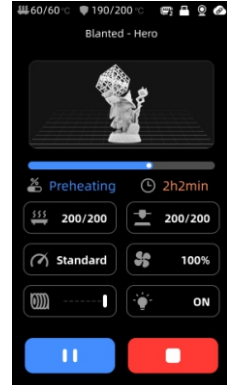
Makeronline QR Code: Models can be downloaded via Makeronline.



Select the model from local storage or U-DISK.



Press "Print"



Printing in progress

Note:
The built-in model is subject to reality ⚠

Other Functions

Vibration Compensation: To achieve better printing results, it is recommended to perform a vibration compensation check after printing for more than 300 hours or when the printer has been moved. This feature helps reduce the occurrence of banding during high-speed printing. Regular vibration compensation checks help maintain the stability and accuracy of the printer, thereby improving print quality.

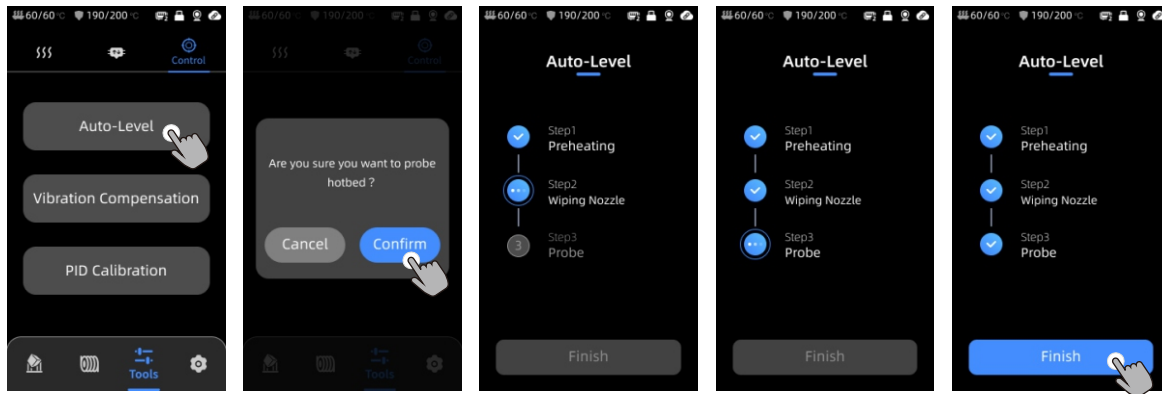
Press "Tools" - "Control" - "Vibration Compensation" and wait for the printer to complete the calibration. Please do not touch the machine during the calibration process.

Filament Runout Detection: This function is designed to prevent printing failures when the filament runs out during the middle of a print. It alerts the user to replace the filament before continuing the print, effectively preventing wasted prints due to filament shortage.

Power Loss Resume: When printing using the filament holder, in the event of a sudden power outage or accidentally turning off the machine, this function does not require manual setup. Simply reconnect the power and turn on the machine. You can then resume the print.

Leveling

Press [Tools]-[Control]-[Auto Level]. Wait for the printer to complete the leveling process.



Note:

Please check whether the PEI magnetic spring board is installed before leveling.



Maintenance

Z-axis Lead Screws

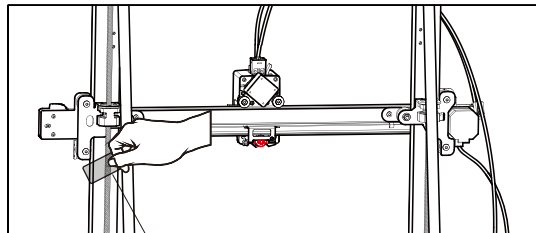
*The Z-axis lead screw needs regular lubrication, as proper lubrication ensures smooth movement. It is recommended to perform maintenance every three months.

Before applying lubricating grease to the Z-axis lead screws, it is important to clean them thoroughly, removing any dust or plastic particles. Then, using the axis movement controls, move the print head to a higher position. Apply a thin coat of lubricating grease on the Z-axis lead screws, and then home the printer again. You can repeat this movement process a few times to ensure the grease is evenly distributed over the Z-axis lead screws. Once completed, clean off any excess lubricating grease that may have accumulated near the leadscrew nuts.

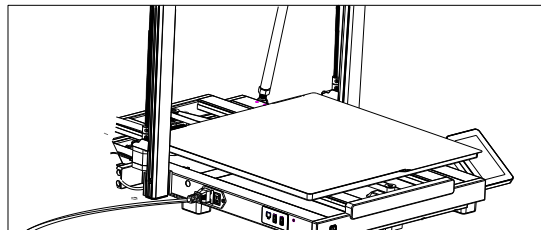
X/Y-axis double metal spindles

*The X/Y-axis double metal spindles require regular lubrication, as proper lubrication ensures smooth movement. It is recommended to perform maintenance once a month.

Before applying lubricating grease to the X/Y-axis double metal spindles, it is important to clean them thoroughly, removing any dust or plastic particles. Then, apply a thin coat of lubricating grease on the X/Y-axis double metal spindles and home the printer. You can repeat the movement process a few times to ensure the grease is evenly spread over the X/Y-axis double metal spindles.



Grease Z-axis Lead Screws

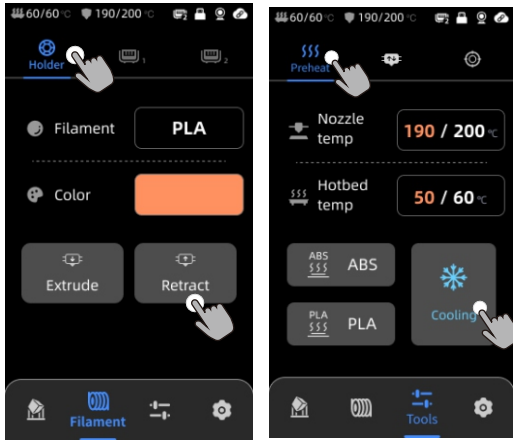


X/Y-axis Double Metal Spindles

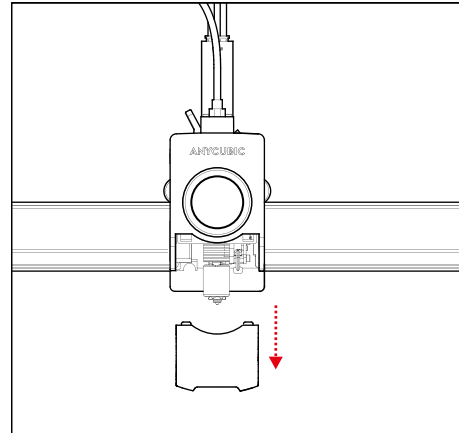


Maintenance

Hotend Replacement



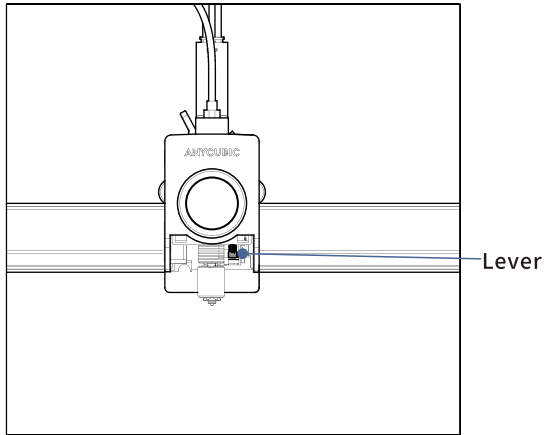
1. Click [Holder]- [Retract] to retract the filament.
2. Click [Tools]- [Preheat]- [Cooling] to cool down the hotend.



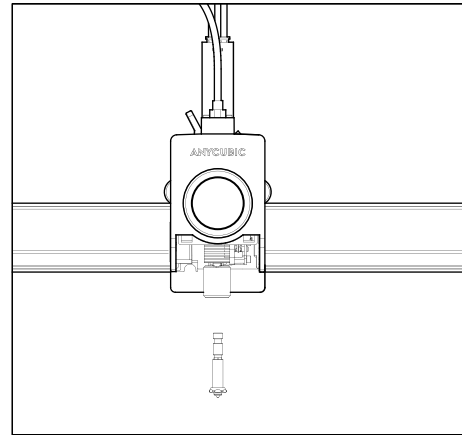
2. Remove the cover.

Maintenance

Hotend Replacement



3. Pull the lever upwards.



4. Remove the hotend and replace it, and press down on the lever to secure the new hotend.

Attention

1. Anycubic 3D printer generates high temperature. DO NOT reach inside of the printer during operation. Contact with extruded materials may cause burns.
2. Use high temperature resistant gloves when operating the product.
3. This equipment is not suitable for use in locations where children are likely to be present.
4. The fuse rating for the printer is 250V 10A. Never replace the fuse with one of a higher amperage, otherwise it may cause fire.
5. The socket-outlet shall be easily accessible.

If the above problems cannot be solved, please initiate consultation in our after-sales service system, and our engineers will reply you in the form of email within one working day.

(<https://support.anycubic.com/>)



Warm tips:

1. Fill in the information based on the SN of the corresponding model. The items with red dots are mandatory.
2. If the order is successful, you will soon receive a reply from the after-sales service system in your mailbox.
3. If you successfully place an order but do not receive an email, please watch out for spam.
4. If the order creation fails, please pay attention to the pop-up reminder on the web page.



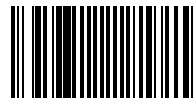
Name:Apex CE Specialists GmbH
Add:Habichtweg 1 41468 Neuss Germany
Contact:Wells Yan
Tel:+353212066339
E-Mail:Info@apex-ce.com



Name:APEX CE SPECIALISTS LIMITED
Add:89 Princess Street,Manchester, M1 4HT,UK
Contact:Wells
Tel:+ 441616371080
E-Mail:info@apex-ce.com



CMIIT ID: 24J44VY8S205
FCC ID: 2AXYK-K3MAX



M02010114